



Technical Support Line: (952) 985-5675 Email: Info@QA1.net

21730 Hanover Ave.  
Lakeville, MN 55044  
www.QA1.net

### INSTALLATION INSTRUCTIONS

QA1 P/52899 Rear Sway Bar  
'73-'86 Chevrolet C10/ GMC C15, C1500, '87 Chevrolet/GMC R10, R1500

### TOOLS AND SUPPLIES REQUIRED

- Floor Jack
- Jack Stands
- SAE Wrench Set
- Ratchet & SAE Socket Set
- Anti-seize Lubricant
- Torque Wrench
- Grinder or Air Chisel
- Drill & Drill Bit Set

### Pre-Installation Note

QA1 P/N 52899 Rear Sway Bar is for use with QA1's '73-'87 C10 rear suspension system and is not intended to be used with leaf spring suspensions.

### Installation Instructions

1. Raise and support the rear of the truck with jack stands under the frame.
2. Match up the mounting bolt holes on bracket P/N 9037-773 with the bolts on the driver's side frame rail and remove the three nuts. Install the bracket on the bolts and reinstall the nuts.
3. Match up the mounting bolt holes on bracket P/N 9037-784 and remove the three bolts.
4. Install P/N 9037-784 bracket with 7/16" x 2 1/4" bolts with 9037-784 spacers between the frame and bracket. **NOTE:** Route wiring and brake and fuel lines below the brackets, not behind or they will be pinched.
5. Assemble the sway bar end links by threading the JNR8S jam nuts onto the XMR8 rod ends and the JNL8S jam nuts onto the XML8 rod ends. Apply anti-seize to the rod end threads and fully thread the rod ends into P/N 9033-459 adjuster sleeves.
6. Attach the sway bar end links to the sway bar using P/N 9029-309 high misalignment studs and hardware as shown on page 2.
7. Attach the sway bar and sway bar end links to the rear side of the frame brackets using the 3/8" x 2" bolts, washers, nuts and SG8-64 high misalignment spacers.
8. Grease and install the bushings on the sway bar and swing into place on the axle. Attach the sway bar to the axle as shown on page 2 with the saddle brackets and U-bolts.



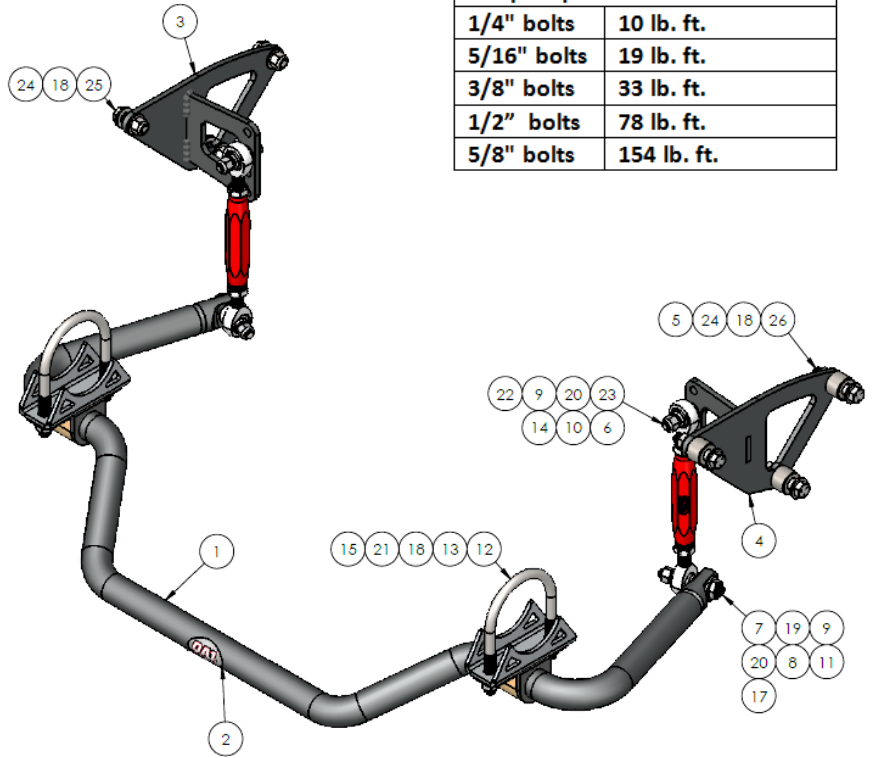
### **NOTE:**

Your sway bar bushing kit may come with more washers than used for this application.

9. With the suspension loaded, adjust the sway bar end links so the arms of the sway bar are level. Torque all mounting hardware to the specification in the chart on page 2.

BALLOON #	ITEM #	DESCRIPTION	QTY.
1	9037-677	SWAY BAR, REAR 1 1/4", BLACK	1
2	9093-122	DECAL, SUSPENSION DECAL, USA	1
3	9037-773	WELDMENT, DS SWAY BAR MOUNT	1
4	9037-776	WELDMENT, PS SWAY BAR MOUNT	1
5	9037-784	SPACER, SWAY BAR FRAME MOUNT	3
6	XMR8	ROD END (X) ENDURA ALLOY HT	2
7	9029-309	HIGH MISALIGNMENT STUD	2
8	XML8	ROD END (X) ENDURA ALLOY HT	2
9	SG8-64	HIGH MISALIGNMENT SPACER, .5" OD	6
10	JNR8S	Jam Nut, Right Hand Thread	2
11	JNR8S	Jam Nut, Left Hand Thread	2
12	9012-204	U-Bolt, 7/16-20 X 3.0"	2
13	9032-171	BUSHING, SWAY BAR FRAME MOUNT 1-1/4"	2
14	9033-459	SLEEVE, .875" HEX ALUMINUM ANODIZED	2
15	9037-628	BRACKET, AXLE SADDLE MOUNT, 3 INCH	2
16	7039-228	HARDWARE KIT, REAR SWAY BAR	1
17	-	JAM NUT, NYLOCK, 1/2-13	2
18	-	WASHER, 7/16, SAE	16
19	-	WASHER, SAE, 1/2	2
20	-	NUT, NYLOCK, 3/8-16	4
21	-	NUT, NYLOCK, 7/16-20	4
22	-	WASHER, 3/8, SAE	2
23	-	BOLT, 3/8-16 X 2.00"	2
24	-	NUT, NYLOCK, 7/16-14	6
25	-	BOLT, 7/16-14 X 1.25"	3
26	-	BOLT, 7/16-14 X 2.25	3

Torque Specifications	
1/4" bolts	10 lb. ft.
5/16" bolts	19 lb. ft.
3/8" bolts	33 lb. ft.
1/2" bolts	78 lb. ft.
5/8" bolts	154 lb. ft.



READ ALL INSTRUCTIONS CAREFULLY AND THOROUGHLY PRIOR TO STARTING INSTALLATION. PRODUCTS THAT HAVE BEEN INSTALLED ARE NOT ELIGIBLE FOR RETURN. USE THE PROPER JACKING LOCATIONS. DEATH OR SERIOUS INJURY CAN RESULT IF INSTRUCTIONS ARE NOT CORRECTLY FOLLOWED. A GOOD CHASSIS MANUAL, AVAILABLE AT YOUR LOCAL PARTS STORE, MAY ALSO AID IN YOUR INSTALLATION.

• **DISCLAIMER / WARRANTY** •

QA1 WARRANTS THAT THE PRODUCTS WILL BE FREE FROM DEFECTS IN MATERIAL AND WORKMANSHIP FOR ONE YEAR FROM DATE OF SALE TO THE ORIGINAL PURCHASER. QA1 MAKES NO OTHER WARRANTY OF ANY KIND, EXPRESS OR IMPLIED. QA1 SHALL HAVE NO OBLIGATION UNDER THE FOREGOING WARRANTY WHERE THE DEFECT IS THE RESULT OF IMPROPER OR ABNORMAL USE, YOUR NEGLIGENCE, VEHICLE ACCIDENT, IMPROPER OR INCORRECT INSTALLATION OR MAINTENANCE, NOR WHEN THE PRODUCT HAS BEEN REPAIRED OR ALTERED IN ANY WAY. QA1'S LIABILITY IN THE CASE OF DEFECTIVE PRODUCTS SUBJECT TO THE FOREGOING WARRANTY SHALL BE LIMITED TO THE REPAIR OR REPLACEMENT, AT QA1'S OPTION, OF THE DEFECTIVE PRODUCTS.

THE USER UNDERSTANDS AND RECOGNIZES THAT RACING PARTS, SPECIALIZED STREET ROD EQUIPMENT, AND ALL PARTS AND SERVICES SOLD BY QA1 ARE EXPOSED TO MANY AND VARIED CONDITIONS DUE TO THE MANNER IN WHICH THEY ARE INSTALLED AND USED. QA1 SHALL BEAR NO LIABILITY FOR ANY LOSS, DAMAGE OR INJURY, EITHER TO A PERSON OR TO PROPERTY, RESULTING FROM THE INSTALLATION, DIRECT OR INDIRECT USE OF ANY QA1 PRODUCTS OR INABILITY BY THE BUYER TO DETERMINE PROPER USE OR APPLICATION OF QA1 PRODUCTS. WITH THE EXCEPTION OF THE LIMITED LIABILITY WARRANTY SET FORTH ABOVE, QA1 SHALL NOT BE LIABLE FOR ANY CLAIMS, DEMANDS, INJURIES, DAMAGES, ACTIONS, OR CAUSES OF ACTION WHATSOEVER TO BUYER ARISING OUT OF OR CONNECTED WITH THE USE OF ANY QA1 PRODUCTS. MOTORSPORTS ARE DANGEROUS; AS SUCH, NO WARRANTY OR REPRESENTATION IS MADE AS TO THE PRODUCT'S ABILITY TO PROTECT THE USER FROM INJURY OR DEATH. THE USER ASSUMES THAT RISK!

**Dedicated Technical Support Team**

QA1 is dedicated to providing quality support and instructions. We employ passionate racers and car enthusiasts that know our products and the industry to better serve you.

Give our tech support line a call at **1.800.721.7761**

Visit online at [www.QA1.net/tech](http://www.QA1.net/tech) or [www.YouTube.com/QA1Tech](http://www.YouTube.com/QA1Tech) for:

- Frequently Asked Questions
- Quick Tips
- Install Information
- Tuning and Repair Guides
- Other Technical Information

Our technical support and order lines are open **Monday – Friday, 8 am to 5 pm CST.**

